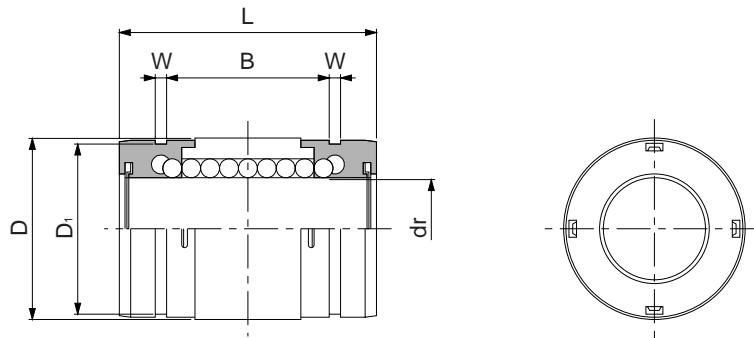
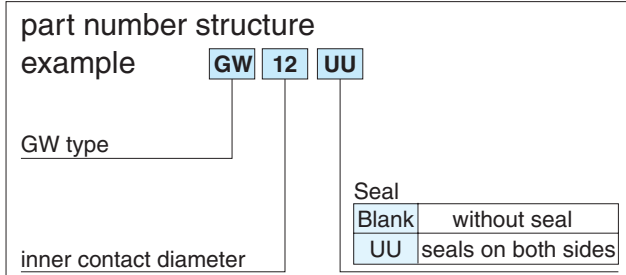


GW TYPE

– Single Type –



part number	number of ball circuits	major dimensions								basic load rating		mass g
		dr		D		L	B	W	D ₁	dynamic C N	static Co N	
		inch	tolerance inch	inch	tolerance inch							
GW 4	4	.2500	0 - .00040	.5000	0/- .00045	.7500	.4329	.0390	.4687	206	265	5.4
GW 6	4	.3750		.6250	0 - .00050	.8750	.5577	.0390	.5880	225	314	7.8
GW 8	4	.5000		.8750		1.2500	.8710	.0459	.8209	510	784	26
GW 10	4	.6250		1.1250	0 - .00065	1.5000	.9920	.0559	1.0590	774	1,180	51
GW 12	6	.7500		1.2500		1.6250	1.0538	.0559	1.1760	862	1,370	72
GW 16	6	1.0000		1.5625	0/- .00075	2.2500	1.6187	.0679	1.4687	980	1,570	138
GW 20	6	1.2500		2.0000		2.6250	1.8687	.0679	1.8859	1,570	2,740	269

1N ≅ 0.225lbf 1kg ≅ 2.205lbs