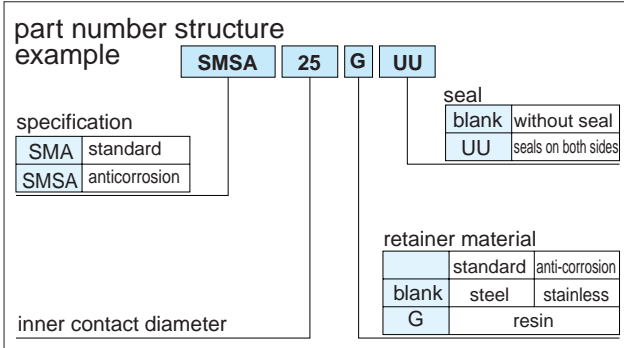
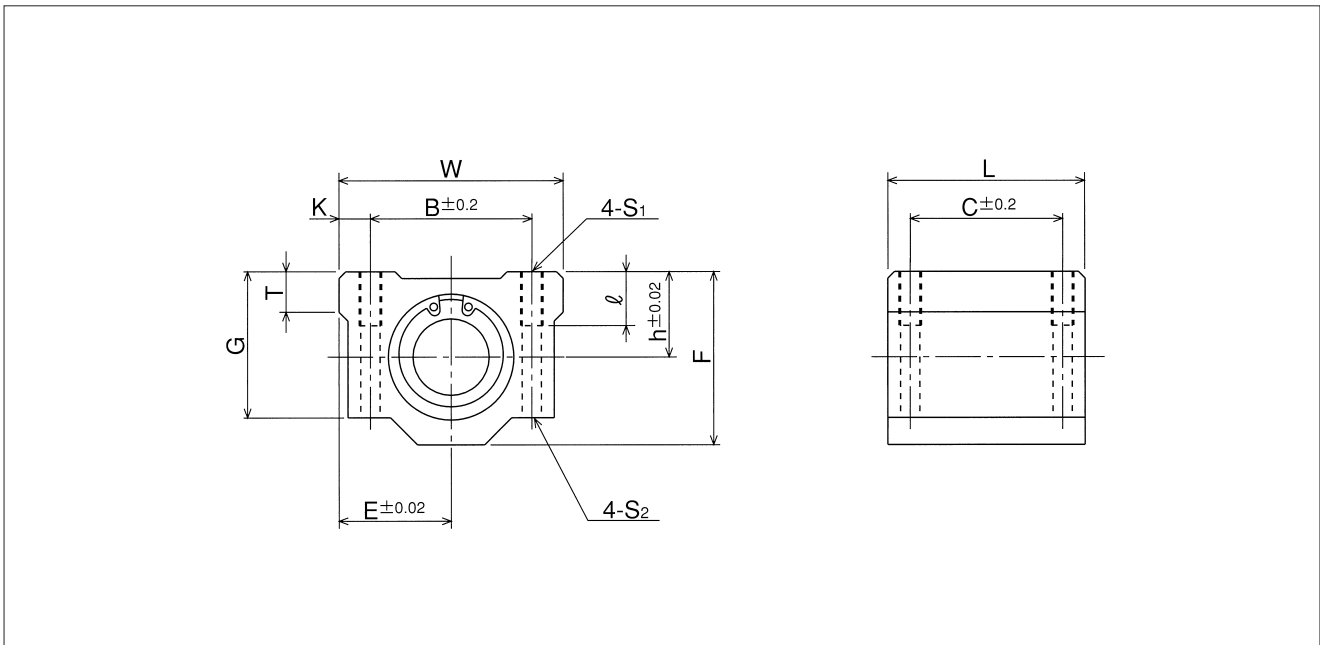


SMA TYPE

– Block Type –



part number	major dimensions									
	inner contact diameter		outer dimensions							
	mm	tolerance μm	h mm	E mm	W mm	L mm	F mm	G mm	T mm	
SMA 3GUU	3	0	5	8	16	13	10	8	—	
SMA 4GUU	4	- 8	5.5	8.5	17	15	11	9	—	
SMA 5GUU	5		7	11	22	18	14	11	—	
SMA 6GUU	6	0	9	15	30	25	18	15	6	
SMA 8GUU	8		11	17	34	30	22	18	6	
SMA10GUU	10		13	20	40	35	26	21	8	
SMA12GUU	12		- 9	15	21	42	36	28	24	8
SMA13GUU	13		15	22	44	39	30	24.5	8	
SMA16GUU	16		19	25	50	44	38.5	32.5	9	
SMA20GUU	20	0	21	27	54	50	41	35	11	
SMA25GUU	25	- 10	26	38	76	67	51.5	42	12	
SMA30GUU	30		30	39	78	72	59.5	49	15	
SMA35GUU	35	0	34	45	90	80	68	54	18	
SMA40GUU	40	- 12	40	51	102	90	78	62	20	
SMA50GUU	50		52	61	122	110	102	80	25	
SMA60GUU	60		0/- 15	58	66	132	122	114	94	30

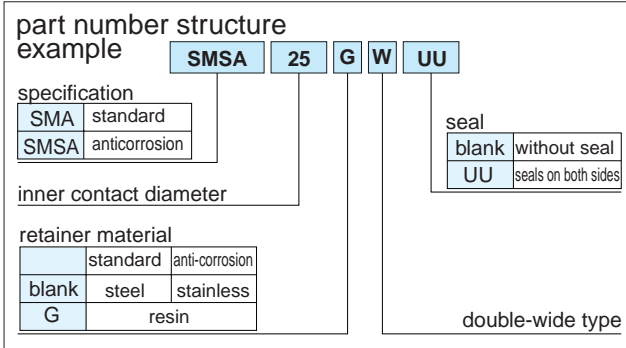
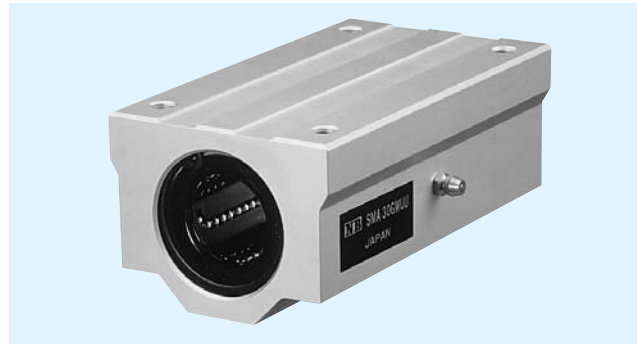


mounting dimensions						basic load rating		mass g	part number
B mm	C mm	K mm	S ₁	ℓ mm	S ₂ mm	dynamic C N	static C ₀ N		
11	8	2.5	M 2	—	—	69	105	5	SMA 3GUU
12	10	2.5	M 3	—	—	88	127	7	SMA 4GUU
16	12	3	M 3	—	—	167	206	14	SMA 5GUU
20	15	5	M 4	8	3.4	206	265	34	SMA 6GUU
24	18	5	M 4	8	3.4	274	392	52	SMA 8GUU
28	21	6	M 5	12	4.3	372	549	92	SMA10GUU
30.5	26	5.75	M 5	12	4.3	510	784	102	SMA12GUU
33	26	5.5	M 5	12	4.3	510	784	120	SMA13GUU
36	34	7	M 5	12	4.3	774	1,180	200	SMA16GUU
40	40	7	M 6	12	5.2	882	1,370	255	SMA20GUU
54	50	11	M 8	18	7	980	1,570	600	SMA25GUU
58	58	10	M 8	18	7	1,570	2,740	735	SMA30GUU
70	60	10	M 8	18	7	1,670	3,140	1,100	SMA35GUU
80	60	11	M10	25	8.7	2,160	4,020	1,590	SMA40GUU
100	80	11	M10	25	8.7	3,820	7,940	3,340	SMA50GUU
108	90	12	M12	25	10.7	4,700	10,000	4,270	SMA60GUU

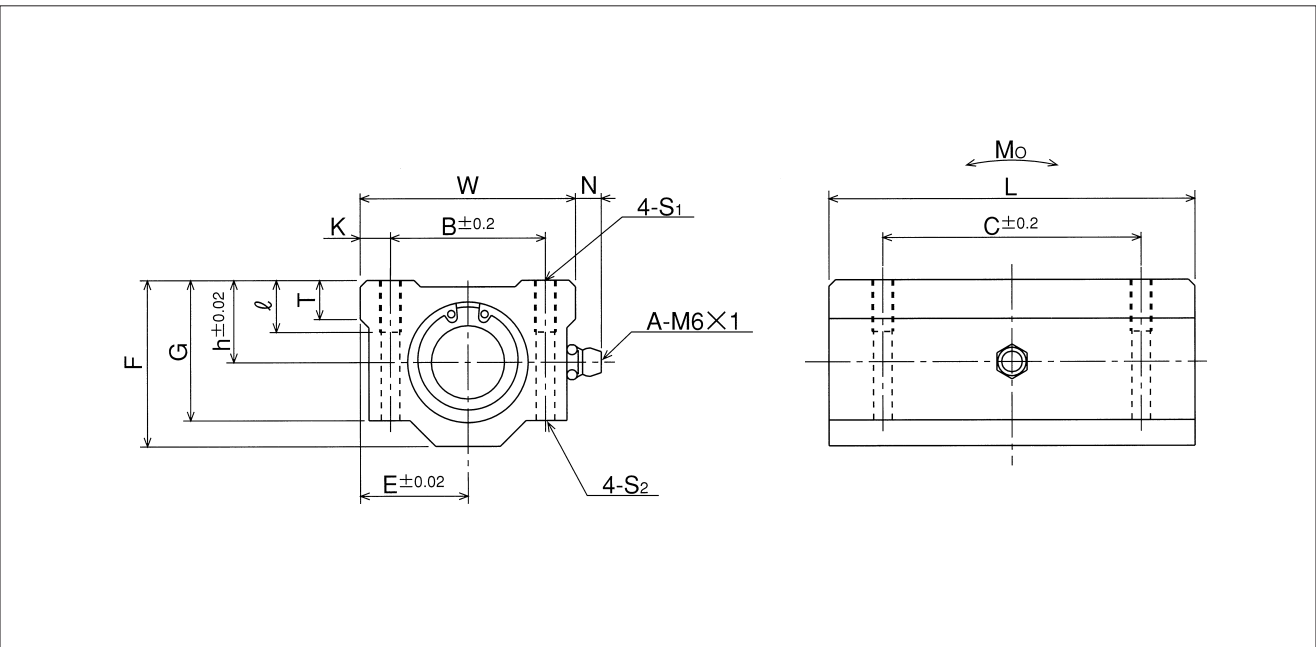
1N ≙ 0.102kgf

SMA-W TYPE

– Double-Wide Block Type –



part number	major dimensions									
	inner contact diameter		outer dimensions							
	mm	tolerance μm	h mm	E mm	W mm	L mm	F mm	G mm	T mm	N mm
SMA 3GWUU	3	0	5	8	16	23	10	8	—	—
SMA 4GWUU	4	− 8	5.5	8.5	17	27	11	9	—	—
SMA 5GWUU	5		7	11	22	33	14	11	—	—
SMA 6GWUU	6		9	15	30	48	18	15	6	7
SMA 8GWUU	8		11	17	34	58	22	18	6	7
SMA10GWUU	10	0	13	20	40	68	26	21	8	7
SMA12GWUU	12	− 9	15	21	42	70	28	24	8	6.5
SMA13GWUU	13		15	22	44	75	30	24.5	8	6.5
SMA16GWUU	16		19	25	50	85	38.5	32.5	9	6
SMA20GWUU	20	0	21	27	54	96	41	35	11	7
SMA25GWUU	25	− 10	26	38	76	130	51.5	42	12	4
SMA30GWUU	30		30	39	78	140	59.5	49	15	5
SMA35GWUU	35	0	34	45	90	155	68	54	18	5.5
SMA40GWUU	40	− 12	40	51	102	175	78	62	20	5
SMA50GWUU	50		52	61	122	215	102	80	25	5
SMA60GWUU	60	0/− 15	58	66	132	240	114	94	30	5

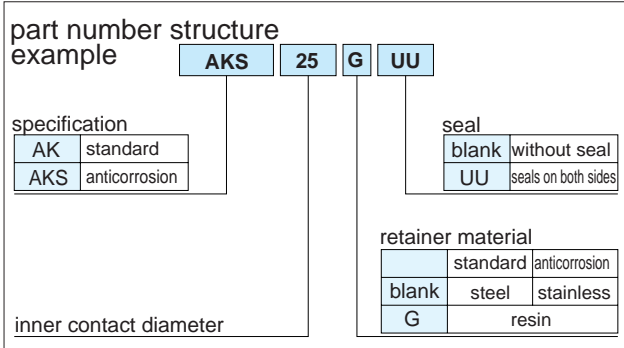


mounting dimensions						basic load rating		allowable static moment Mo N · m	mass g	part number
B mm	C mm	K mm	S ₁	ℓ mm	S ₂ mm	C N	Co N			
11	16	2.5	M 2	—	—	108	206	0.49	10	SMA 3GWUU
12	20	2.5	M 3	—	—	137	255	0.72	13	SMA 4GWUU
16	25	3	M 3	—	—	265	412	1.54	27	SMA 5GWUU
20	36	5	M 4	8	3.4	323	530	2.18	63	SMA 6GWUU
24	42	5	M 4	8	3.4	431	784	4.31	102	SMA 8GWUU
28	46	6	M 5	12	4.3	588	1,100	7.24	180	SMA10GWUU
30.5	50	5.75	M 5	12	4.3	813	1,570	10.9	205	SMA12GWUU
33	50	5.5	M 5	12	4.3	813	1,570	11.6	240	SMA13GWUU
36	60	7	M 5	12	4.3	1,230	2,350	19.7	400	SMA16GWUU
40	70	7	M 6	12	5.2	1,400	2,740	26.8	570	SMA20GWUU
54	100	11	M 8	18	7	1,560	3,140	43.4	1,200	SMA25GWUU
58	110	10	M 8	18	7	2,490	5,490	82.8	1,480	SMA30GWUU
70	120	10	M 8	18	7	2,650	6,270	110	2,200	SMA35GWUU
80	140	11	M10	25	8.7	3,430	8,040	147	3,200	SMA40GWUU
100	160	11	M10	25	8.7	6,080	15,900	397	6,700	SMA50GWUU
108	180	12	M12	25	10.7	7,550	20,000	530	8,560	SMA60GWUU

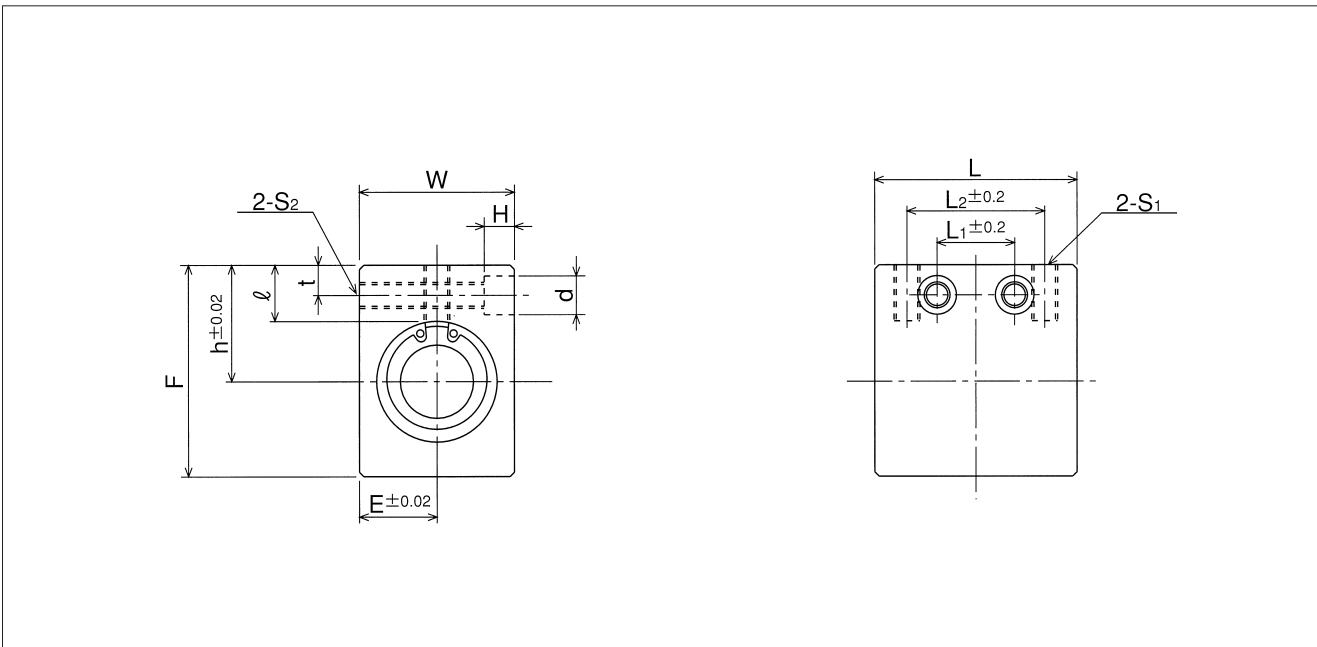
1N≐0.102kgf 1N·m≐0.102kgf·m

AK TYPE

— Compact Block Type —



part number	major dimensions								
	inner contact diameter		outer dimensions						
	mm	tolerance μm	h mm	E mm	W mm	L mm	F mm	L ₂ mm	S ₁
AK 6GUU	6	- 9	14	8	16	27	22	18	M 4
AK 8GUU	8		16	10	20	32	26	20	M 5
AK10GUU	10		19	13	26	39	32	27	M 6
AK12GUU	12		20	14	28	40	34	27	M 6
AK13GUU	13		25	15	30	42	43	28	M 6
AK16GUU	16	27	18	36	47	49	32	M 6	
AK20GUU	20	- 10	31	21	42	52	54	36	M 8
AK25GUU	25		37	26	52	69	65	42	M10
AK30GUU	30		40	29	58	74	71	44	M10

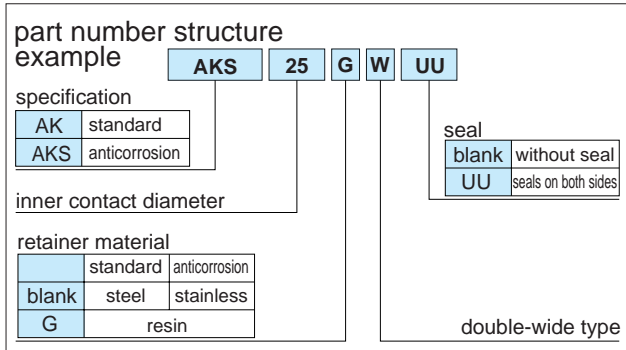
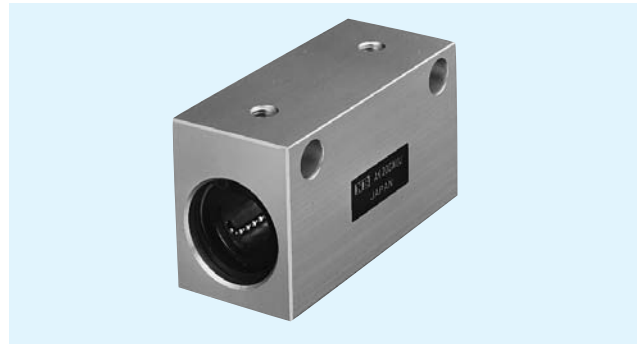


mounting dimensions						basic load rating		mass g	part number
						dynamic C N	static Co N		
ℓ mm	L_1 mm	t mm	S_2	d mm	H mm				
8	9	5	M 4	6	5	206	265	21.5	AK 6GUU
8.5	10	5	M 4	6	5	274	392	40	AK 8GUU
9.5	15	6	M 5	8	6	372	549	80	AK10GUU
9.5	15	6	M 5	8	6	510	784	90	AK12GUU
13.5	16	7	M 6	9	7	510	784	132	AK13GUU
13	18	7	M 6	9	7	774	1,180	204	AK16GUU
15	18	8	M 8	11	8	882	1,370	272	AK20GUU
17	22	9	M10	14	10	980	1,570	574	AK25GUU
17.5	22	9	M10	14	10	1,570	2,740	710	AK30GUU

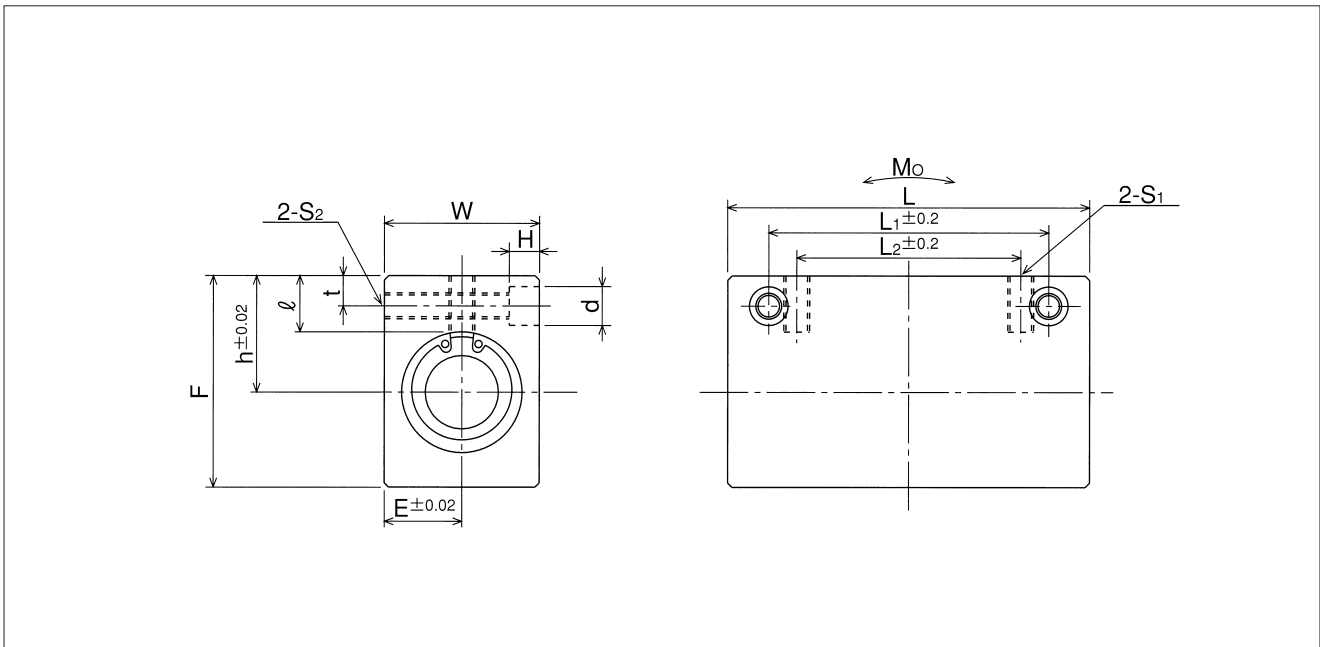
1N \approx 0.102kgf

AK-W TYPE

– Double-Wide Compact Block Type –



part number	major dimensions									
	inner contact diameter		outer dimensions							
	mm	tolerance μm	h mm	E mm	W mm	L mm	F mm	L ₂ mm	S ₁	ℓ mm
AK 6GWUU	6	- 9	14	8	16	46	22	20	M 4	8
AK 8GWUU	8		16	10	20	56	26	30	M 5	8.5
AK10GWUU	10		19	13	26	68	32	36	M 6	9.5
AK12GWUU	12		20	14	28	70	34	36	M 6	9.5
AK13GWUU	13		25	15	30	74	43	42	M 6	13.5
AK16GWUU	16	27	18	36	84	49	52	M 6	13	
AK20GWUU	20	- 10	31	21	42	94	54	58	M 8	15
AK25GWUU	25		37	26	52	128	65	80	M10	17
AK30GWUU	30		40	29	58	138	71	90	M10	17.5

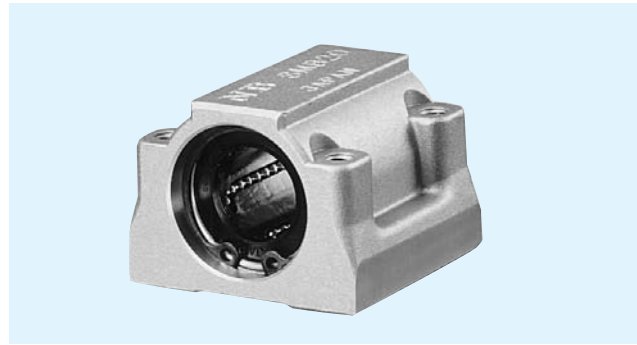


mounting dimensions					basic load rating		allowable static moment Mo N · m	mass g	part number
					dynamic C N	static Co N			
L ₁ mm	t mm	S ₂	d mm	H mm					
30	5	M 4	6	5	323	530	2.18	40	AK 6GWUU
42	5	M 4	6	5	431	784	4.31	75	AK 8GWUU
50	6	M 5	8	6	588	1,100	7.24	150	AK10GWUU
50	6	M 5	8	6	813	1,570	10.9	168	AK12GWUU
55	7	M 6	9	7	813	1,570	11.6	248	AK13GWUU
65	7	M 6	9	7	1,230	2,350	19.7	383	AK16GWUU
70	8	M 8	11	8	1,400	2,740	26.8	520	AK20GWUU
100	9	M10	14	10	1,560	3,140	43.4	1,120	AK25GWUU
110	9	M10	14	10	2,490	5,490	82.8	1,384	AK30GWUU

1N ≙ 0.102kgf 1N·m ≙ 0.102kgf·m

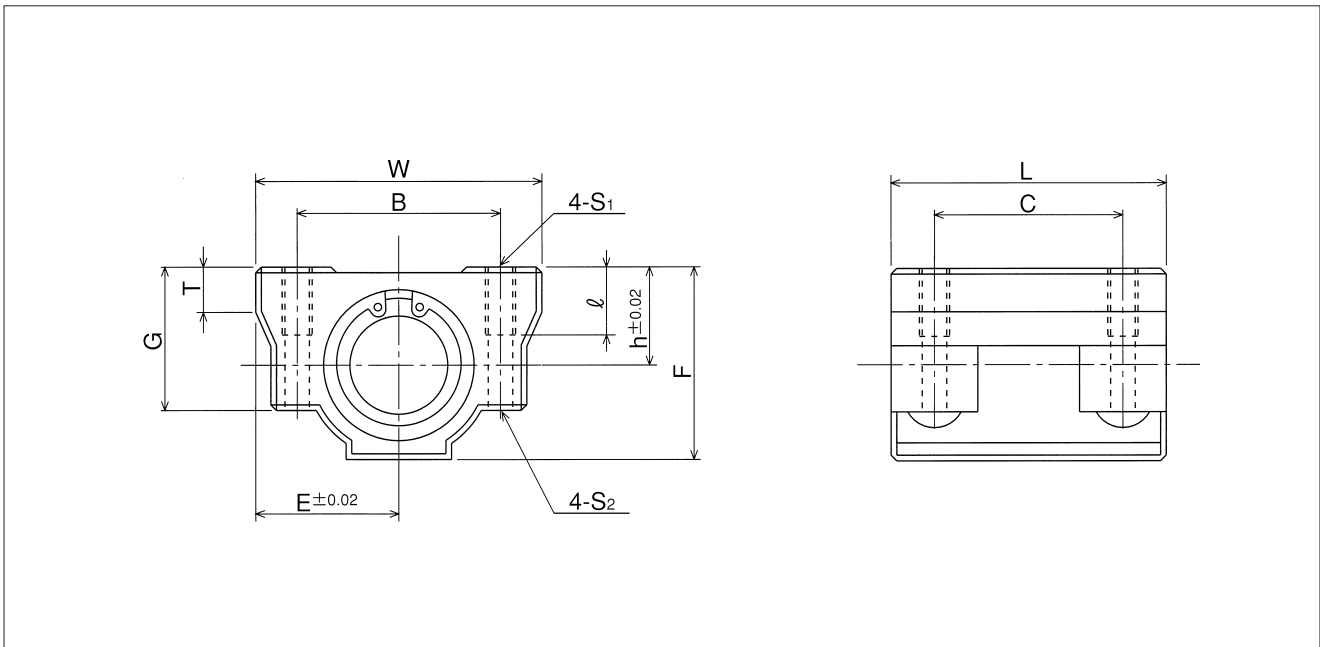
SMB TYPE

– Block Type –



part number structure		example		SMSB	25	G	UU
specification						seal	
SMB	standard					blank	without seal
SMSB	anticorrosion					UU	seals on both sides
inner contact diameter						retainer material	
				blank	standard	anticorrosion	
				G	resin		

part number	major dimensions								
	inner contact diameter		outer dimensions						
	mm	tolerance μm	h mm	E mm	W mm	L mm	F mm	G mm	T mm
SMB13GUU	13	0	16	22	44	39	31	22	8
SMB16GUU	16	-9	19	25	50	49	37	28	9
SMB20GUU	20	0	21	27	54	55	41	31	11
SMB25GUU	25	-10	26	38	76	73	51	38	12
SMB30GUU	30	-10	30	39	78	80	57	45	15
SMB40GUU	40	0/-12	40	51	102	96	75	59	22

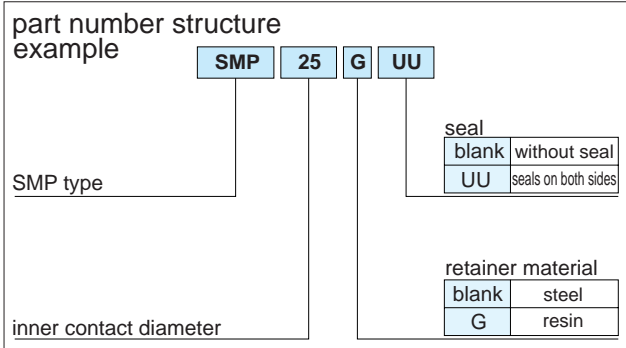
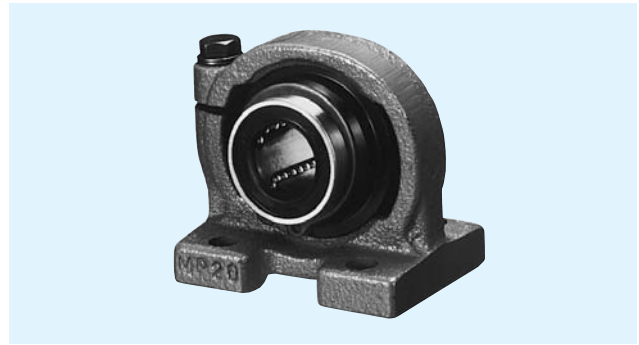


mounting dimensions					basic load rating		mass g	part number
					dynamic C N	static Co N		
B mm	C mm	S ₁	ℓ mm	S ₂ mm				
33	26	M 5	10	4.3	510	784	120	SMB13GUU
36	34	M 5	12	4.3	774	1,180	170	SMB16GUU
40	40	M 6	12	5.1	882	1,370	210	SMB20GUU
54	50	M 8	18	6.8	980	1,570	500	SMB25GUU
58	58	M 8	18	6.8	1,570	2,740	600	SMB30GUU
80	60	M10	25	8.6	2,160	4,020	1,200	SMB40GUU

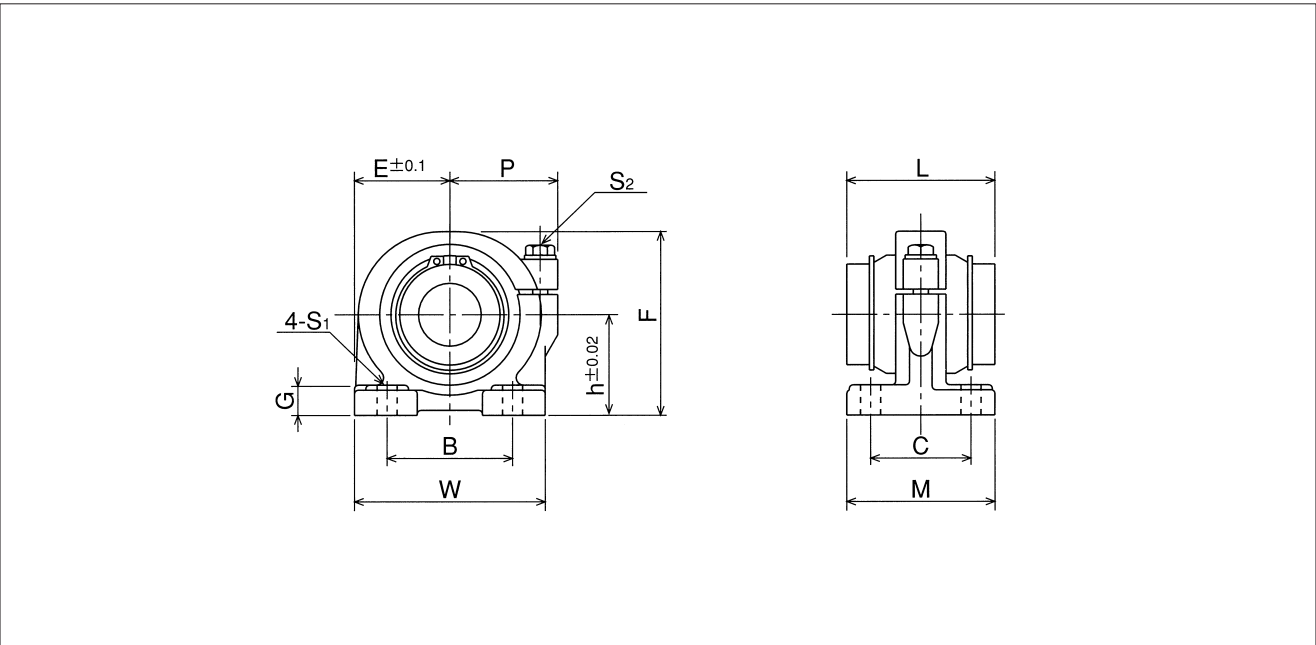
1N ≅ 0.102kgf

SMP TYPE

– Pillow Block Type –



part number	major dimensions								
	inner contact diameter		outer dimensions						
	mm	tolerance μm	h mm	E mm	W mm	L mm	F mm	G mm	M mm
SMP13GUU	13	0	25	25	50	32	46	8	36
SMP16GUU	16	-9	29	27.5	55	37	53	10	40
SMP20GUU	20	0	34	32.5	65	42	62	12	48
SMP25GUU	25	-10	40	38	76	59	73	12	59
SMP30GUU	30	-10	45	42.5	85	64	84	15	69
SMP35GUU	35	0	50	49	98	70	94	15	76
SMP40GUU	40	-12	60	62	124	80	112	18	86
SMP50GUU	50	-12	70	72	144	100	134	20	105
SMP60GUU	60	0/-15	82	84.5	169	110	154	23	115

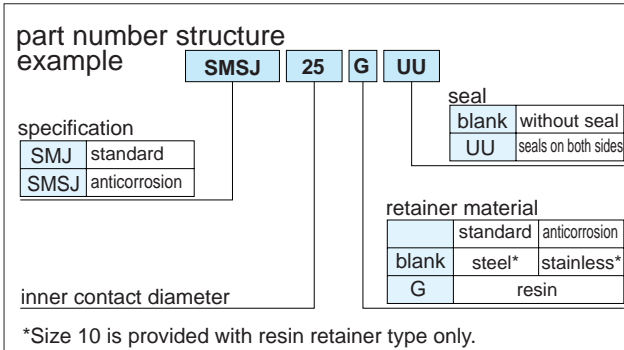
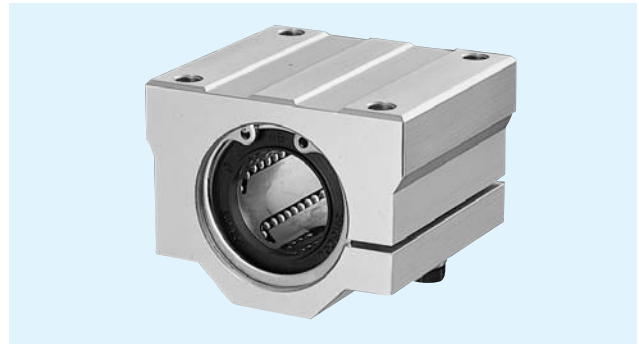


P mm	mounting dimensions			adjustment bolt size S_2	basic load rating		mass g	part number
	B mm	C mm	S_1 (bolt size) mm		dynamic C N	static C_0 N		
30	30	26	7(M 5)	M 5	510	784	270	SMP13GUU
32	35	29	7(M 5)	M 5	774	1,180	380	SMP16GUU
37	40	35	8(M 6)	M 6	882	1,370	680	SMP20GUU
43	50	40	8(M 6)	M 6	980	1,570	1,000	SMP25GUU
49	58	46	10(M 8)	M 8	1,570	2,740	1,400	SMP30GUU
58	62	53	12(M10)	M10	1,670	3,140	2,100	SMP35GUU
68	76	64	12(M10)	M10	2,160	4,020	3,700	SMP40GUU
80	100	70	14(M12)	M12	3,820	7,940	6,100	SMP50GUU
88	115	80	14(M12)	M12	4,700	10,000	8,700	SMP60GUU

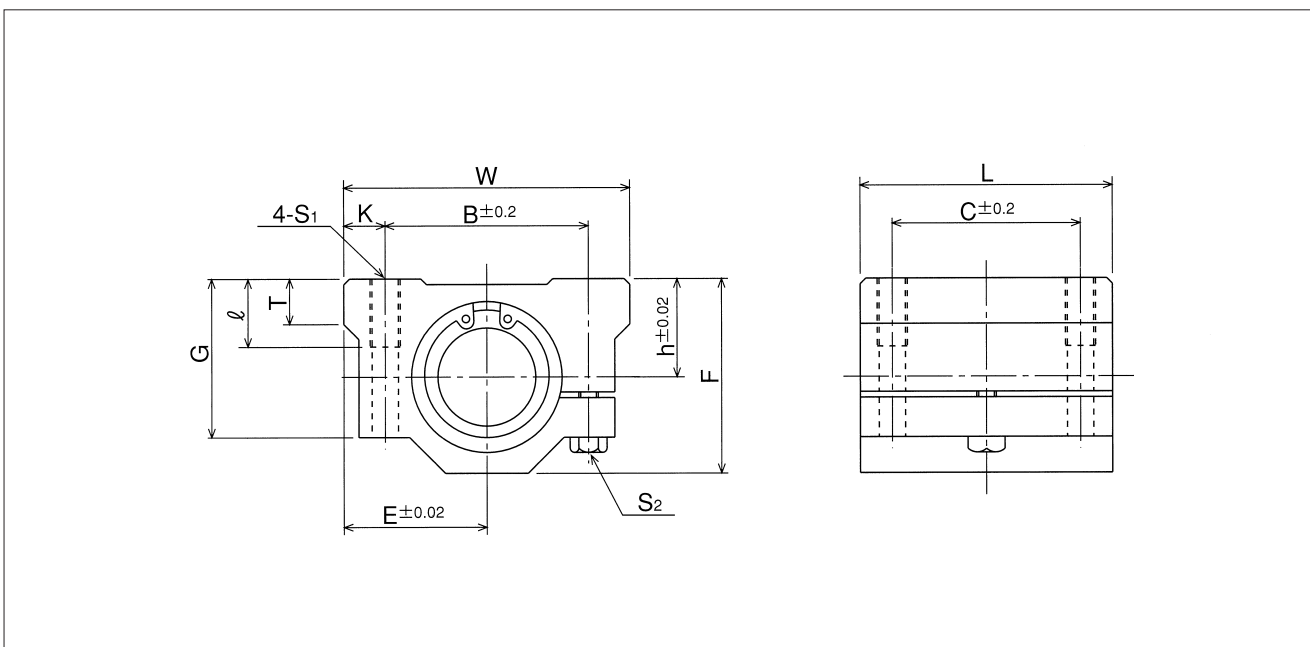
1N \approx 0.102kgf

SMJ TYPE

– Clearance Adjustable Type –



part number	major dimensions								
	inner contact diameter mm	outer dimensions							
		h mm	E mm	W mm	L mm	F mm	G mm	T mm	B mm
SMJ10GUU*	10	13	20	40	35	26	21	8	28
SMJ12GUU	12	15	21	42	36	28	24	8	30.5
SMJ13GUU	13	15	22	44	39	30	24.5	8	33
SMJ16GUU	16	19	25	50	44	38.5	32.5	9	36
SMJ20GUU	20	21	27	54	50	41	35	11	40
SMJ25GUU	25	26	38	76	67	51.5	42	12	54
SMJ30GUU	30	30	39	78	72	59.5	49	15	58
SMJ35GUU	35	34	45	90	80	68	54	18	70
SMJ40GUU	40	40	51	102	90	78	62	20	80
SMJ50GUU	50	52	61	122	110	102	80	25	100
SMJ60GUU	60	58	66	132	122	114	94	30	108

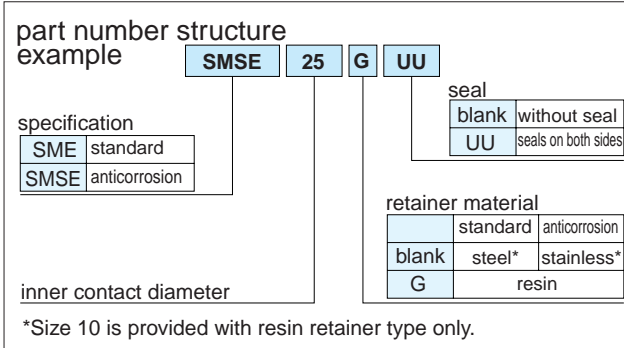


mounting dimensions				adjusting bolt size S_2	basic load rating		mass g	part number
C mm	K mm	S_1	ℓ mm		dynamic C N	static C_o N		
21	6	M 5	12	M 4	372	549	92	SMJ10GUU
26	5.75	M 5	12	M 4	510	784	102	SMJ12GUU
26	5.5	M 5	12	M 4	510	784	120	SMJ13GUU
34	7	M 5	12	M 4	774	1,180	200	SMJ16GUU
40	7	M 6	12	M 5	882	1,370	255	SMJ20GUU
50	11	M 8	18	M 6	980	1,570	600	SMJ25GUU
58	10	M 8	18	M 6	1,570	2,740	735	SMJ30GUU
60	10	M 8	18	M 6	1,670	3,140	1,100	SMJ35GUU
60	11	M10	25	M 8	2,160	4,020	1,590	SMJ40GUU
80	11	M10	25	M 8	3,820	7,940	3,340	SMJ50GUU
90	12	M12	25	M10	4,700	10,000	4,270	SMJ60GUU

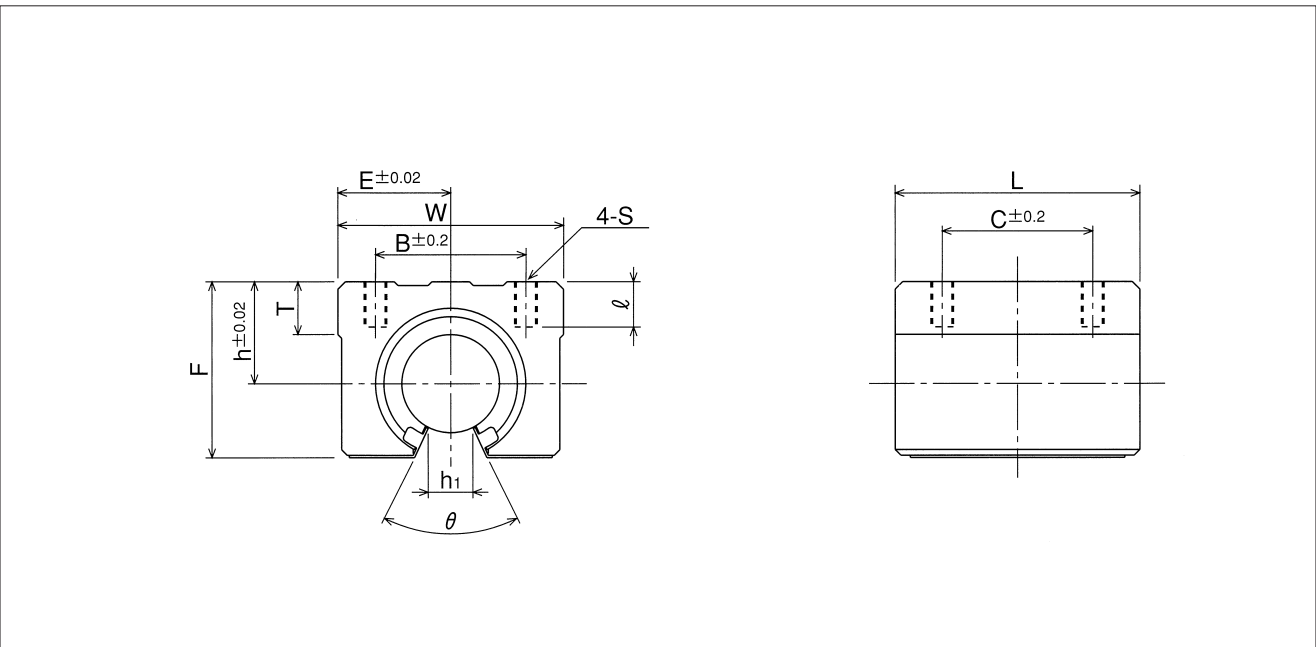
1N \approx 0.102kgf

SME TYPE

– Open Block Type –



part number	major dimensions							
	inner contact diameter mm	h mm	E mm	W mm	L mm	F mm	T mm	h ₁ mm
SME10GUU*	10	15	18	36	32	24	7	6
SME13GUU	13	17	20	40	39	28	8	8.5
SME16GUU	16	20	22.5	45	45	33	9	10
SME20GUU	20	23	24	48	50	39	11	10
SME25GUU	25	27	30	60	65	47	14	11.5
SME30GUU	30	33	35	70	70	56	15	14
SME35GUU	35	37	40	80	80	63	18	16
SME40GUU	40	42	45	90	90	72	20	19
SME50GUU	50	53	60	120	110	92	25	23

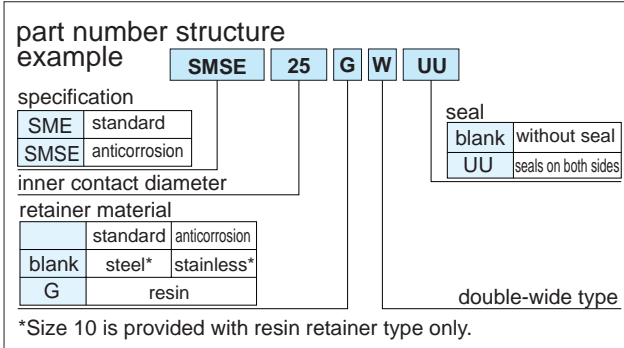


θ	mounting dimensions				basic load rating		mass g	part number
	B mm	C mm	S	ℓ mm	dynamic C N	static Co N		
80°	25	20	M 5	10	372	549	65	SME10GUU
80°	28	26	M 5	10	510	784	100	SME13GUU
80°	32	30	M 5	12	774	1,180	150	SME16GUU
60°	35	35	M 6	12	882	1,370	200	SME20GUU
50°	40	40	M 6	12	980	1,570	450	SME25GUU
50°	50	50	M 8	18	1,570	2,740	630	SME30GUU
50°	55	55	M 8	18	1,670	3,140	925	SME35GUU
50°	65	65	M10	20	2,160	4,020	1,330	SME40GUU
50°	94	80	M10	20	3,820	7,940	3,000	SME50GUU

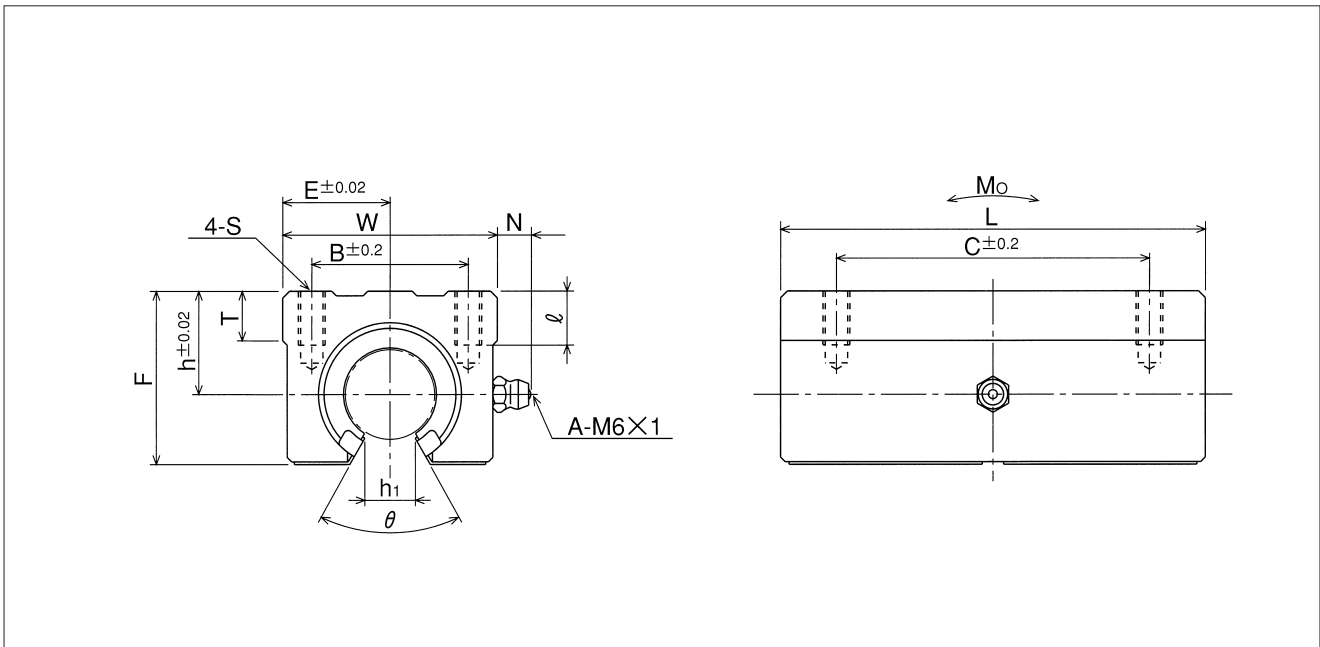
1N≐0.102kgf

SME-W TYPE

– Double-wide Open Block Type –



part number	major dimensions								
	inner contact diameter mm	outer dimensions							
		h mm	E mm	W mm	L mm	F mm	T mm	N mm	h ₁ mm
SME10GWUU*	10	15	18	36	65	24	7	7.5	6
SME13GWUU	13	17	20	40	75	28	8	7.5	8.5
SME16GWUU	16	20	22.5	45	85	33	9	7.5	10
SME20GWUU	20	23	24	48	95	39	11	7.5	10
SME25GWUU	25	27	30	60	130	47	14	7.5	11.5
SME30GWUU	30	33	35	70	140	56	15	7.5	14

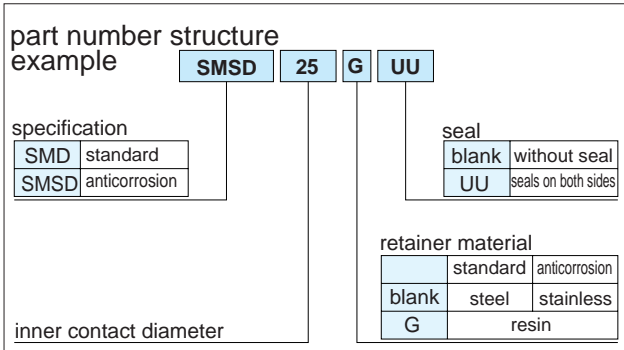


θ	mounting dimensions				basic load rating		allowable static moment M_o N·m	mass g	part number
	B mm	C mm	S	ℓ mm	dynamic C N	static C_o N			
80°	25	40	M5	10	588	1,100	4.63	140	SME10GWUU
80°	28	50	M5	10	813	1,570	7.42	200	SME13GWUU
80°	32	60	M5	12	1,230	2,350	12.6	300	SME16GWUU
60°	35	70	M6	12	1,400	2,740	14.5	400	SME20GWUU
50°	40	90	M6	12	1,560	3,140	24.7	900	SME25GWUU
50°	50	100	M8	18	2,490	5,490	47.2	1,260	SME30GWUU

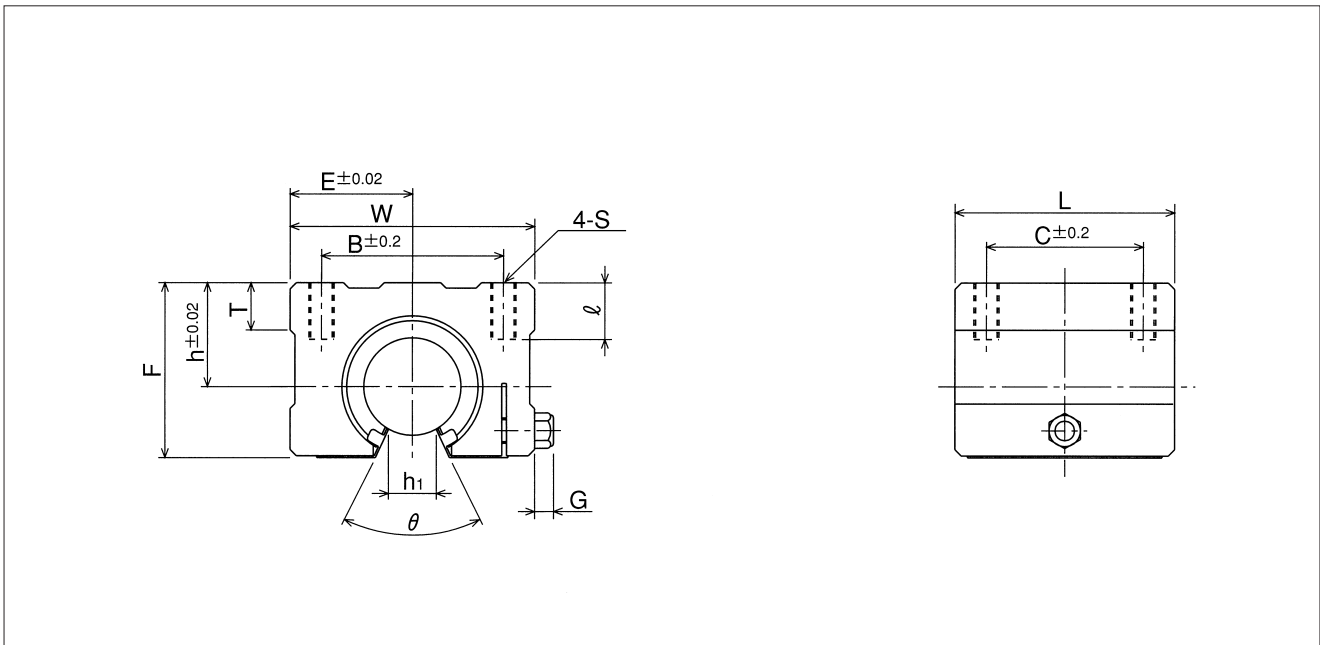
1N \approx 0.102kgf 1N·m \approx 0.102kgf·m

SMD TYPE

— Open Block with Clearance Adjustable Type —



part number	major dimensions								
	inner contact diameter mm	outer dimensions							
		h mm	E mm	W mm	L mm	F mm	T mm	G mm	h ₁ mm
SMD16GUU	16	20	25	50	45	33	9	6	10
SMD20GUU	20	23	27	54	50	39	11	7	10
SMD25GUU	25	27	38	76	65	47	14	7	11.5
SMD30GUU	30	33	39	78	70	56	15	7	14



θ	mounting dimensions				basic load rating		mass g	part number
	B mm	C mm	S	ℓ mm	dynamic C N	static Co N		
80°	36	30	M5	12	774	1,180	170	SMD16GUU
60°	40	35	M6	12	882	1,370	240	SMD20GUU
50°	54	40	M6	12	980	1,570	580	SMD25GUU
50°	58	50	M8	18	1,570	2,740	720	SMD30GUU

1N \approx 0.102kgf

